

# SPECIFICATION



ER2450 3.6V

## Electrical characteristics

(Typical values relative to cells stored for one year at +30 °C max)

○ Nominal capacity	500mAh
Discharged capacity at 1mA, +25 °C, 2.0V cut off	
○ Open circuit voltage	3.66V
○ Max. recommended continuous current	8mA
Discharged to 2.0V at +25 °C permitting 50% of the nominal capacity to be achieved	
○ Max. Pulse capability	20mA
20mA, 0.1 second pulses every 2 minutes, drained with 50%, 1mA at 25 °C from undischarged cells with 20µA base current, yield voltage readings above 2.7V, the value may vary according to the pulse characteristics, the temperature and the cell's previous history	
○ Operating temperature rang	-55 °C ~ +125 °C

## STORAGE:


Stored in clean, dry and cool circumstances (the temperature should be 20 degrees or lower, less than 30 degrees)

## WARNING:

Don't charge, crush, disassemble, expose contents to water, heat above 125 °C or may lead to explosion, burn or poison goods leakage. Discarded battery should be buried deeply to the ground.

## Key features

- High and stable operating voltage
- Long shelf life
- Annual self-discharge rate lower than 1% at +25 °C
- Long operating life
- High energy density (700wh/kg)
- Wide operating temperature rang
- Stainless steel can and cover
- Perfect sealing behaviour below 125 °C
- Non-flammable electrolyte
- Compliant with IEC 86-4 safety standard
- Non-restricted for transport

 UL Component Recognition  
File Number MH46165

## Main applications

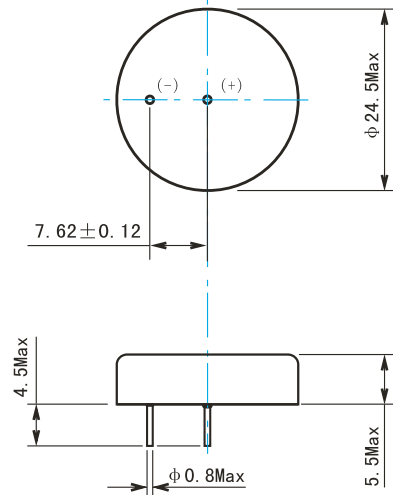
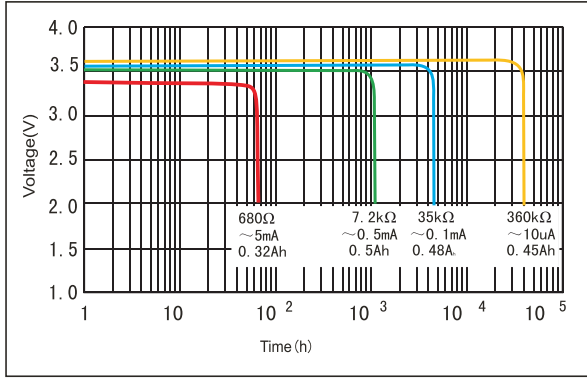
- TPMS
- Alarms or security equipment
- Memory backup
- GPS tracking
- Car electronics
- Professional electronic equipment
- Real time clock

.....

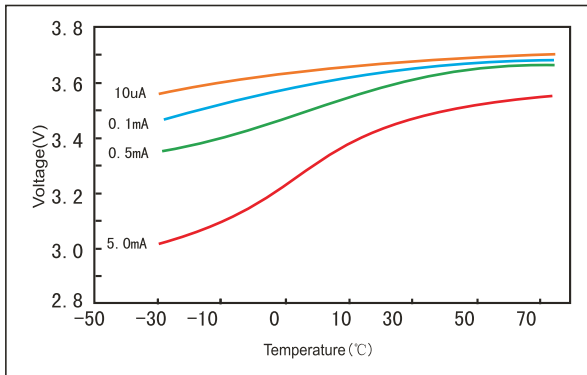
# ER2450

# 500mAh

### Discharge characteristics at 25°C



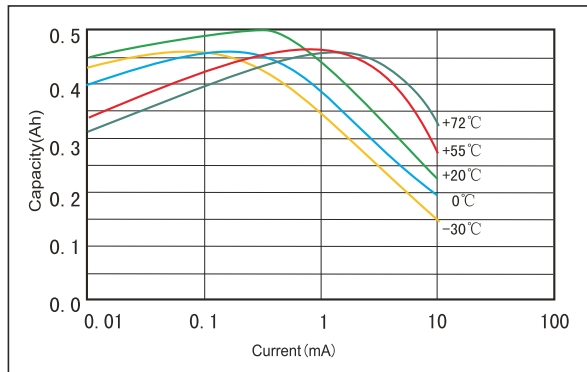
### Voltage vs Temperature curve



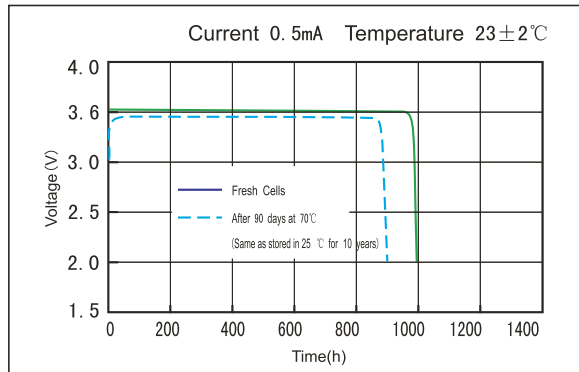
Dimensions in mm  
Weight:9g

Available Terminations	
-/P*	Axial pin
-/T /PT2*	Radial Pin
-/PT /TP*	Polarized Tab
(*) : Reference to Standard Terminals for Single Cells	

### Capacity vs Current curve (cut off with 2.0V)



### Discharge characteristics after storage



Data in this page is subject to change without notice and becomes contractual only after written confirmation by Fanso.

WUHAN FANSO TECHNOLOGY CO.,LTD.

Address:No.1 Sitai Industrial Park,YongFeng Avenue,Hanyang District,Wuhan City,China.

Tel:86-27-84452919 / 84458099 Fax:86-27-84453116 Post Code:430051

Http://www.fansobattery.com E-mail: overseas@fansobattery.com